

Ultra-SLIMVENT™

Ultra-SLIMVENT™

Ultra-SLIMVENT™ provides a light weight, thin and low cost solution for EMI vent needs. These vents meet the requirements of both commercial and military applications, where space is limited. They are offered with an expanded metal screen made from aluminum or monel (nickel-copper alloy). Chem-Film finish, Chomerics Soft-Shield 3500® gaskets (profile 3151), and a single corner weld are standard.

Ultra-SLIMVENT™ is suitable for those applications where shielding and airflow performance are not as critical as the available design space.

A range of plating and gasket options are available. Please contact Application Engineering for further details.

Ordering Procedure

Chomerics' Ultra-SLIMVENT™ is custom fabricated to specific dimensions. Part numbers will be assigned by Chomerics. A detailed drawing should be provided to Chomerics.

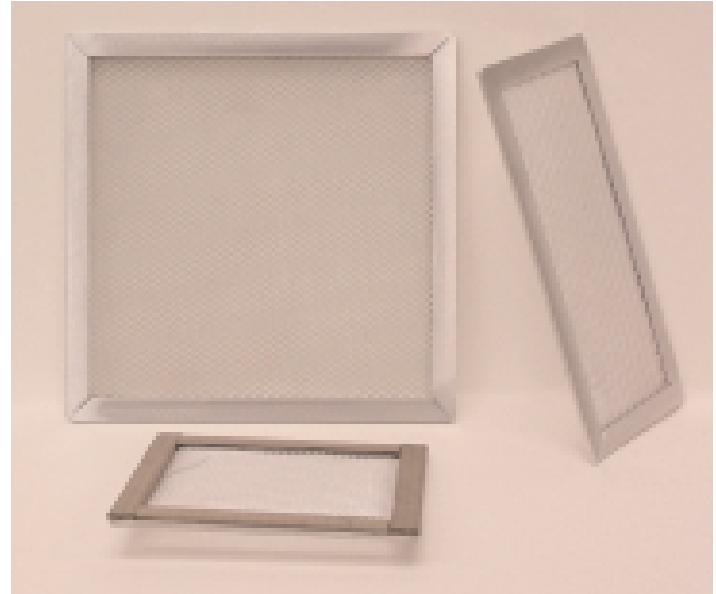
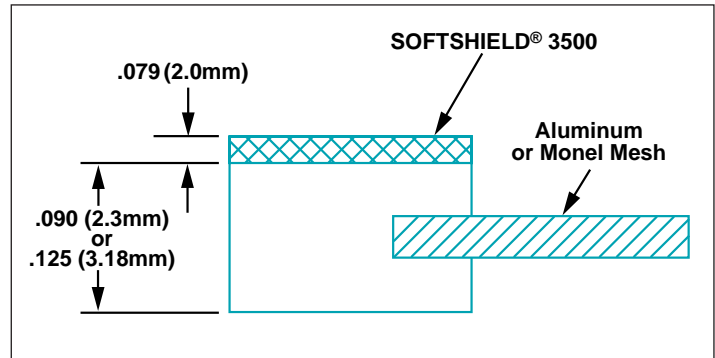


Figure 1 Ultra-SLIMVENT™ at bottom shown with Soft-Shield 3500® Gasket. Vents shown with Clear Chemfilm.

FRAME CONFIGURATION SPECIFICATIONS	
Thickness	Flange Width
0.090"	0.25", 0.375", 0.50"
0.125"	0.625", 0.75", 1.00"
Aluminum Frame per AMS-QQ-A-200/9 most commonly used frame material is 6063-T4 Frames will come standard with Chem Film per MIL-C-5541 Class 3 Gold	
Optional plating: Chem Film per MIL-C-5541 Class 3 Clear Tin Plate per ASTM B-545 Class C Nickel Plate per AMS-C-26074, Class 1, Type A or Grade A Please contact Applications Engineering for additional gasket options	

SCREEN MATERIAL SPECIFICATIONS	
Material	Thickness
Aluminum	0.020±0.004 (0.51 ±0.10)
Monel	0.020±0.004 (0.51 ±0.10)
Aluminum	0.030±0.004 (0.76 ±0.10)
Monel	0.030±0.004 (0.76 ±0.10)



GASKET SPECIFICATIONS		
Gasket Type	Material	
SOFTSHIELD® 3500 (profile 3151)	Ni/Cu plated fabric	Standard
SOFTSHIELD® 5000 (profile 74025)	Ni/Ag plated fabric	Optional
COMBO® Gasket	Neoprene Ferrex	Optional
Please contact Applications Engineering for additional gasket options		