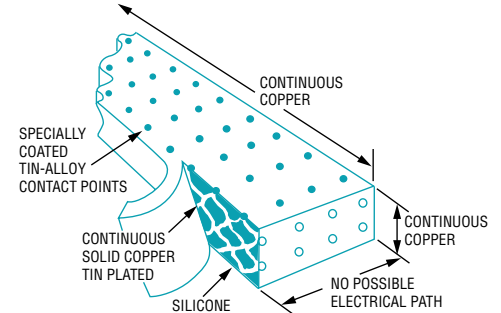


# POLA-H<sup>®</sup> Composite Gasketing

POLA-H<sup>®</sup> is a composite EMI shielding and weather seal gasket strip designed for low frequency H (magnetic) field shielding, but providing outstanding E (electric) field and plain wave shielding as well.

The material consists of continuous solid copper conductive paths (ASTM-B-545) in a solid silicone pressure seal. Protruding tips of copper are plated with tin alloy (ASTM-D-152) for low contact resistance (high contact conductivity) at mating surfaces, a primary factor in achieving effective H field shielding.

POLA-H gasketing is normally supplied in strip form in 3 ft. (99.44cm) lengths (for longer applications 3 ft. lengths can be bonded together), in widths from 0.125" (3.18mm) to 0.625" (15.88mm), and in seven standard heights from 0.125" (3.18mm) to 0.500" (12.7mm). Custom fabricated gaskets also can be supplied to customer specifications.



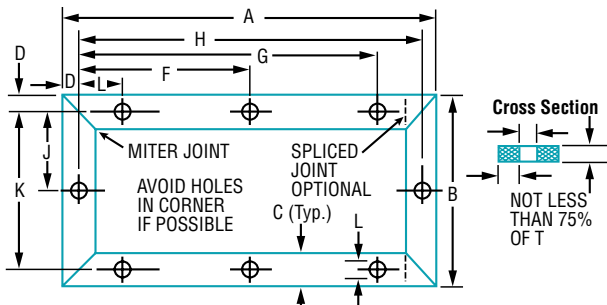
**Table 1** POLA-H Strip Gasketing

Order quantities should be multiples of 3 ft. For custom gaskets, provide drawings. Chomerics will assign part numbers.

Height	Width						
	Part Number						
	<b>0.125 ± 0.015</b> <b>(3.18 ± 0.38)</b>	<b>0.188 ± 0.015</b> <b>(4.78 ± 0.38)</b>	<b>0.250 ± 0.015</b> <b>(6.35 ± 0.38)</b>	<b>0.312 ± 0.031</b> <b>(7.92 ± 0.79)</b>	<b>0.375 ± 0.031</b> <b>(9.53 ± 0.79)</b>	<b>0.500 ± 0.031</b> <b>(12.70 ± 0.79)</b>	<b>0.625 ± 0.031</b> <b>(15.88 ± 0.79)</b>
0.125 ± 0.015 (3.18 ± 0.25)	07-5123-0404	07-5123-0604	07-5123-0804	07-5123-1004	07-5123-1204	07-5123-1604	07-5123-2004
0.156 ± 0.010 (3.96 ± 0.25)	07-5123-0405	07-5123-0605	07-5123-0805	07-5123-1005	07-5123-1205	07-5123-1605	07-5123-2005
0.188 ± 0.010 (4.78 ± 0.25)	07-5123-0406	07-5123-0606	07-5123-0806	07-5123-1006	07-5123-1206	07-5123-1606	07-5123-2006
0.250 ± 0.010 (6.35 ± 0.25)	07-5123-0408	07-5123-0608	07-5123-0808	07-5123-1008	07-5123-1208	07-5123-1608	07-5123-2008
0.312 ± 0.015 (7.92 ± 0.38)	07-5123-0410	07-5123-0610	07-5123-0810	07-5123-1010	07-5123-1210	07-5123-1610	07-5123-2010
0.375 ± 0.015 (9.53 ± 0.38)	07-5123-0412	07-5123-0612	07-5123-0812	07-5123-1012	07-5123-1212	07-5123-1612	07-5123-2012
0.500 ± 0.031 - 0.015 (12.70 ± 0.079) - 0.038)	07-5123-0416	07-5123-0616	07-5123-0816	07-5123-1016	07-5123-1216	07-5123-1616	07-5123-2016

**Figure 1**

Dimensions and Tolerances of POLA-H Fabricated Gaskets



**Table 2** Tolerances (for Assemblies see Figure 1)

Dimensions	0-12 (0-304.8cm)	12-24 (304.8-609.6cm)	24-36 (609.6-914.4cm)
A,B	± 0.03 (0.76)	± 0.06 (1.52)	± 0.12 (3.05)
C	See Table 1		
D	± 0.01 (0.25)	± 0.01 (0.25)	± 0.01 (0.25)
E,F,G,H,J,K	± 0.02 (0.51)	± 0.04 (1.02)	± 0.06 (1.52)
L	± 0.01 (0.25)	± 0.01 (0.25)	± 0.01 (0.25)
T	Height or Thickness of Bulk Strip (See Table 1)		

**NOTES:**

1. Bonded joint uses Clear Silicone RTV.

**Figure 2** Shielding Effectiveness of POLA-H Gaskets

